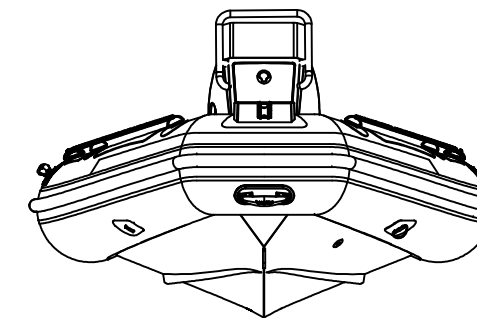
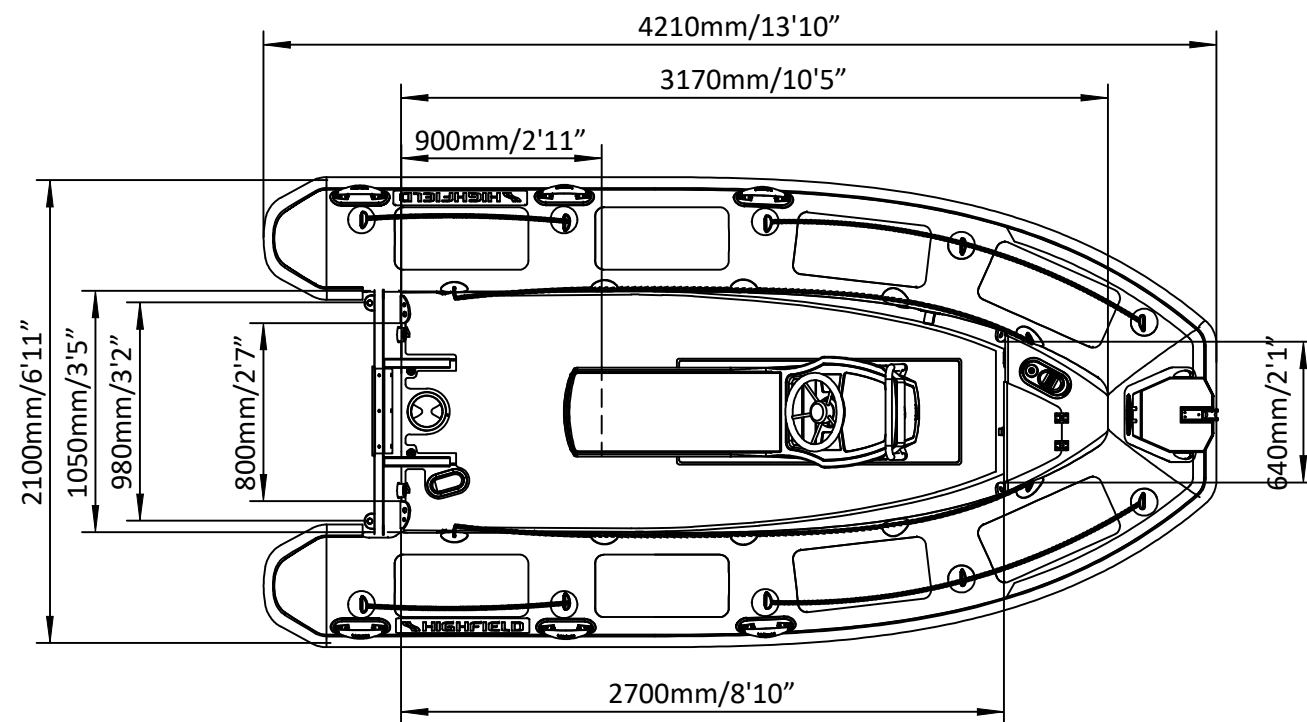
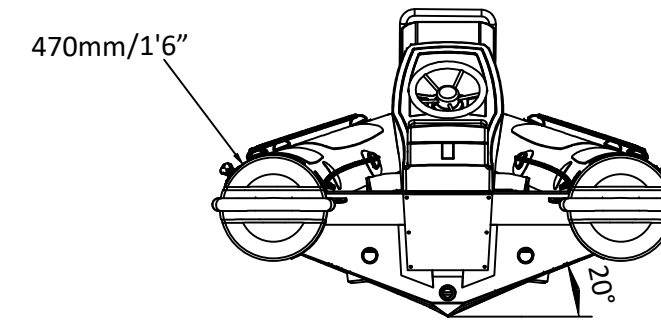
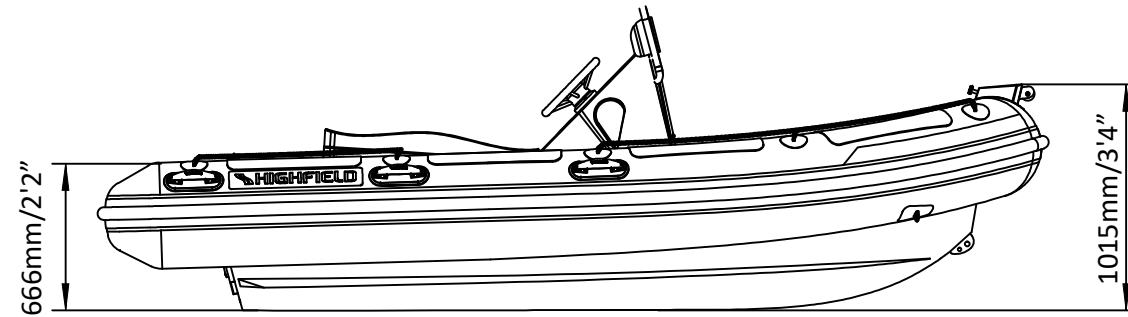


PATROL 420BS

SPECIFICATIONS



SPECIFICATIONS AND MAXIMUM CAPACITIES (Subject to change without notice. Tolerances: dimensions ±2.5%, weights ±5%)

MODEL	ISO 6185 PART	ISO 6185	Passengers		#	Weight		Shaft	Outboard Engine		Sundeck		Tow post		Fuel tank Capacity		Rollbar		Wet Weight (Approximate) 60HP (44.76KW) +Fuel		AIR CHAMBERS	Pressure					
			KG	LB		KG	LB		KG	LB	KG	LB	KG	LB	KG	LB	KG	LB	KG	LB		PSI	BAR				
PA420BS	3	C	823	1814	8	600	1323	L	44.76	60	161.7	356	262	578	/	/	19	41.88	40	10.6	11.36	25	397.7	876.7	4	3.63	0.25

Boat weight includes: console